

Conventional Representation of machine and Materials

By

Bhavik Soneji

Mechanical Department

Indus University

1st angle

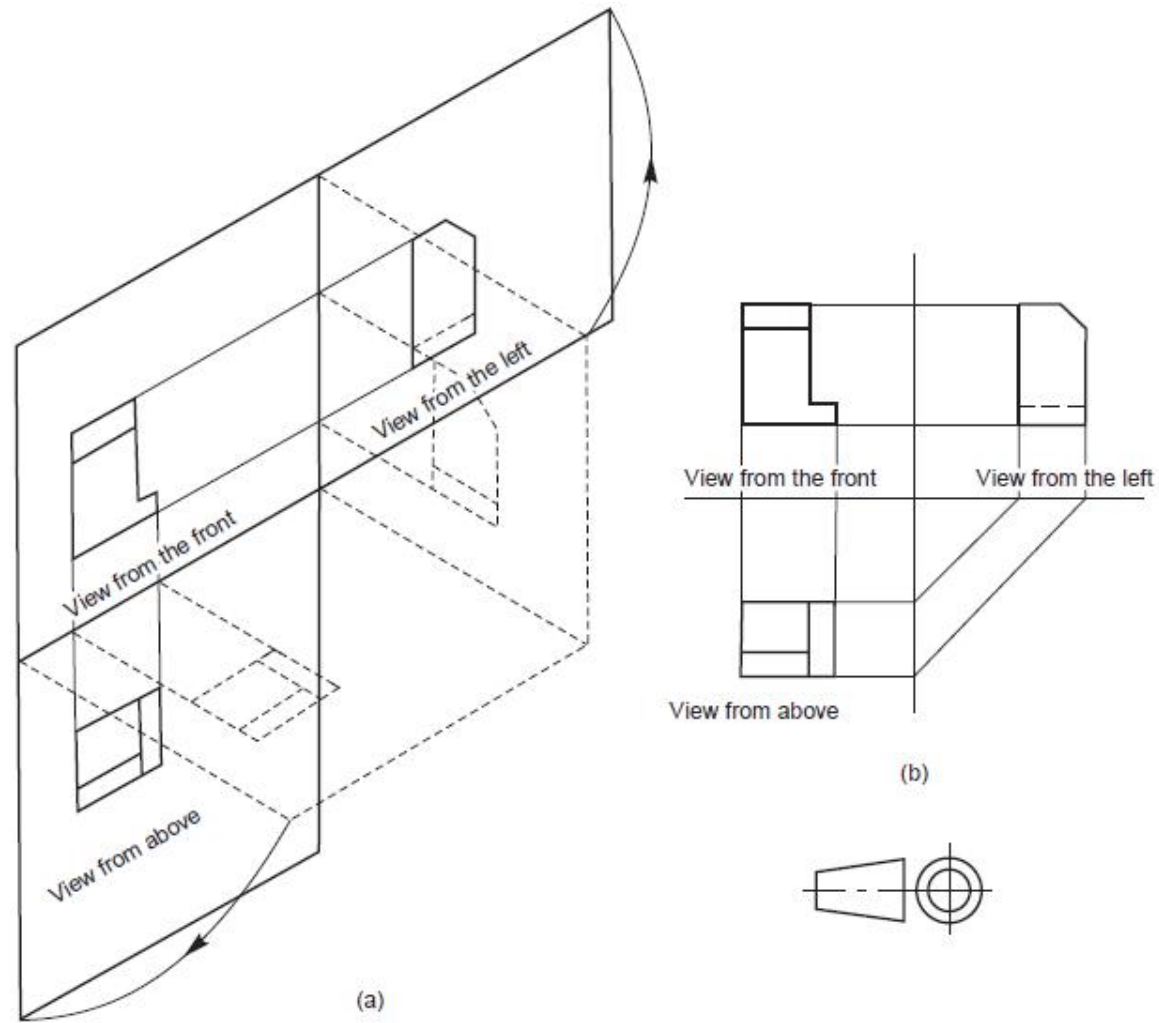
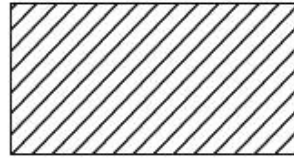


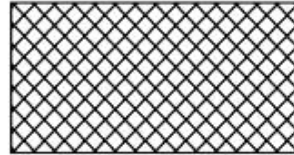
Fig. 3.4 Relative positions of the three views and the symbol

Materials

Metals



Steel, Cast Iron, Copper and its Alloys, Aluminium and its Alloys, etc.



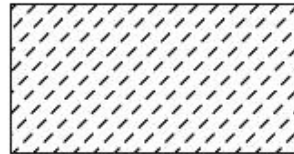
Lead, Zinc, Tin, White-metal, etc.

Glass

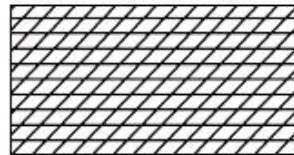


Glass

Packing and Insulating material

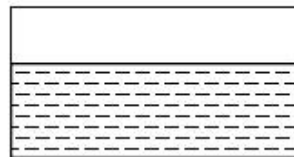


Porcelain, Stoneware, Marble, Slate, etc.



Asbestos, Fibre, Felt, Synthetic resin products, Paper, Cork, Linoleum, Rubber, Leather, Wax, Insulating and Filling materials, etc.

Liquids



Water, Oil, Petrol, Kerosene, etc.

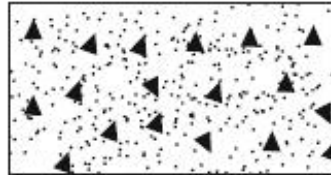
Materials

Wood



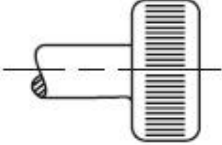
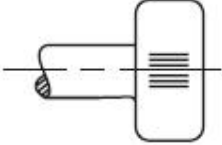
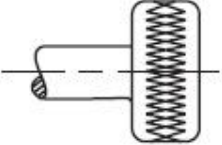
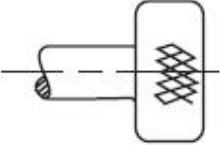
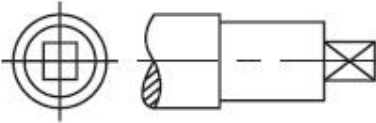
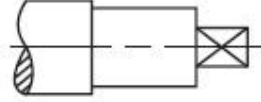
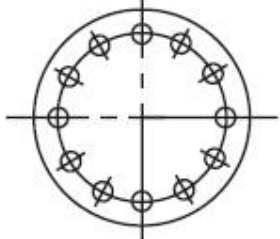
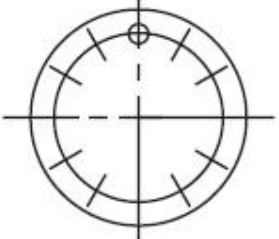
Wood, Plywood, etc.

Concrete

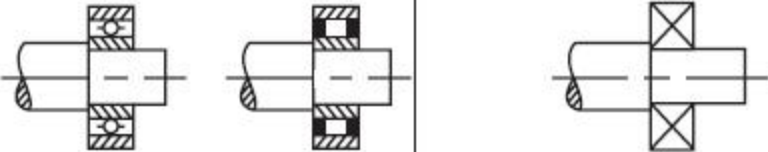
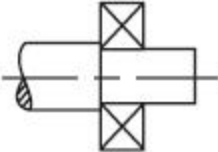

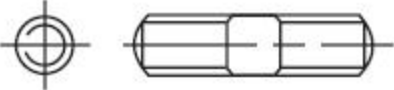
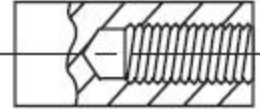

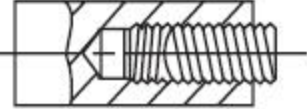



A mixture of Cement, Sand and Gravel

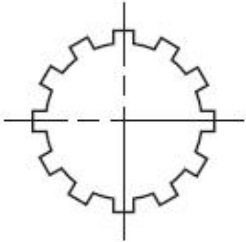
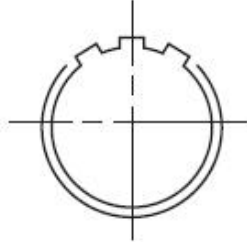
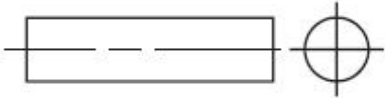
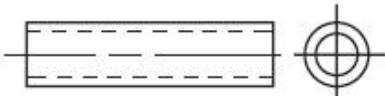
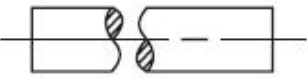
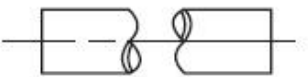
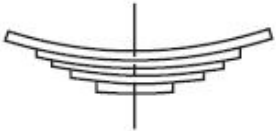
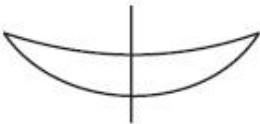
Parts &

Title	Subject	Convention
Straight knurling		
Diamond knurling		
Square on shaft		
Holes on circular pitch		

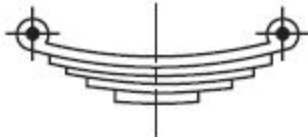
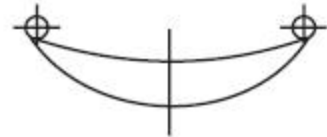

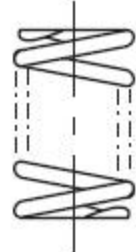




Parts &

Bearings		
External screw threads (Detail)		
Internal screw threads (Detail)		
Screw threads (Assembly)		

Parts &

Title	Subject	Convention
Splined shafts		
Interrupted views	 	 
Semi-elliptic leaf spring		



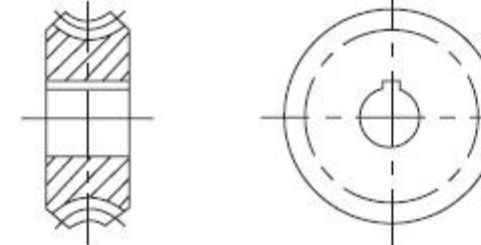
Parts &

Semi-elliptic leaf spring with eyes			
	Subject	Convention	Diagrammatic Representation
Cylindrical compression spring			
Cylindrical tension spring			

Parts &

Re

1

Spur gear	
Bevel gear	
Worm wheel	
Worm	