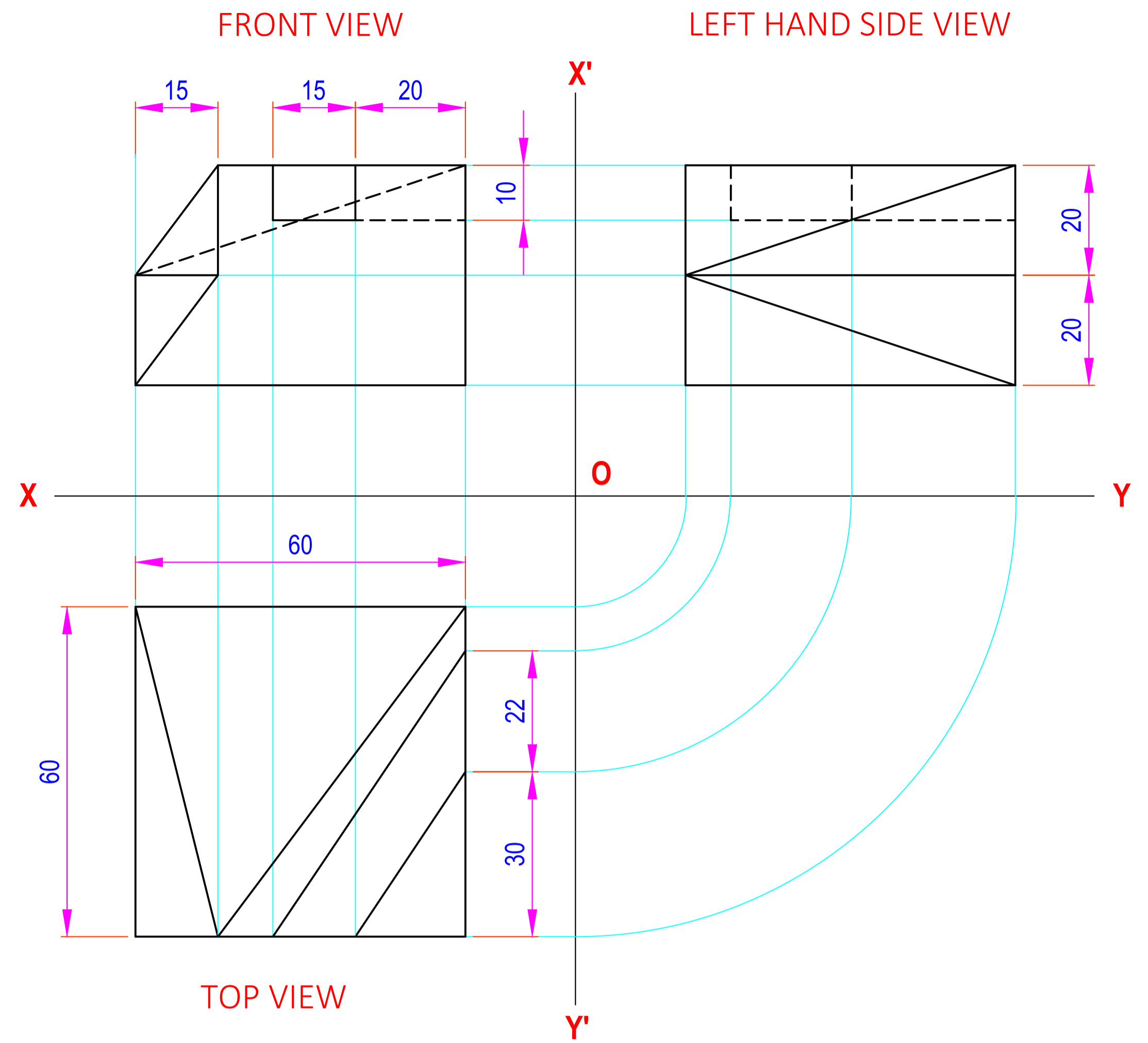
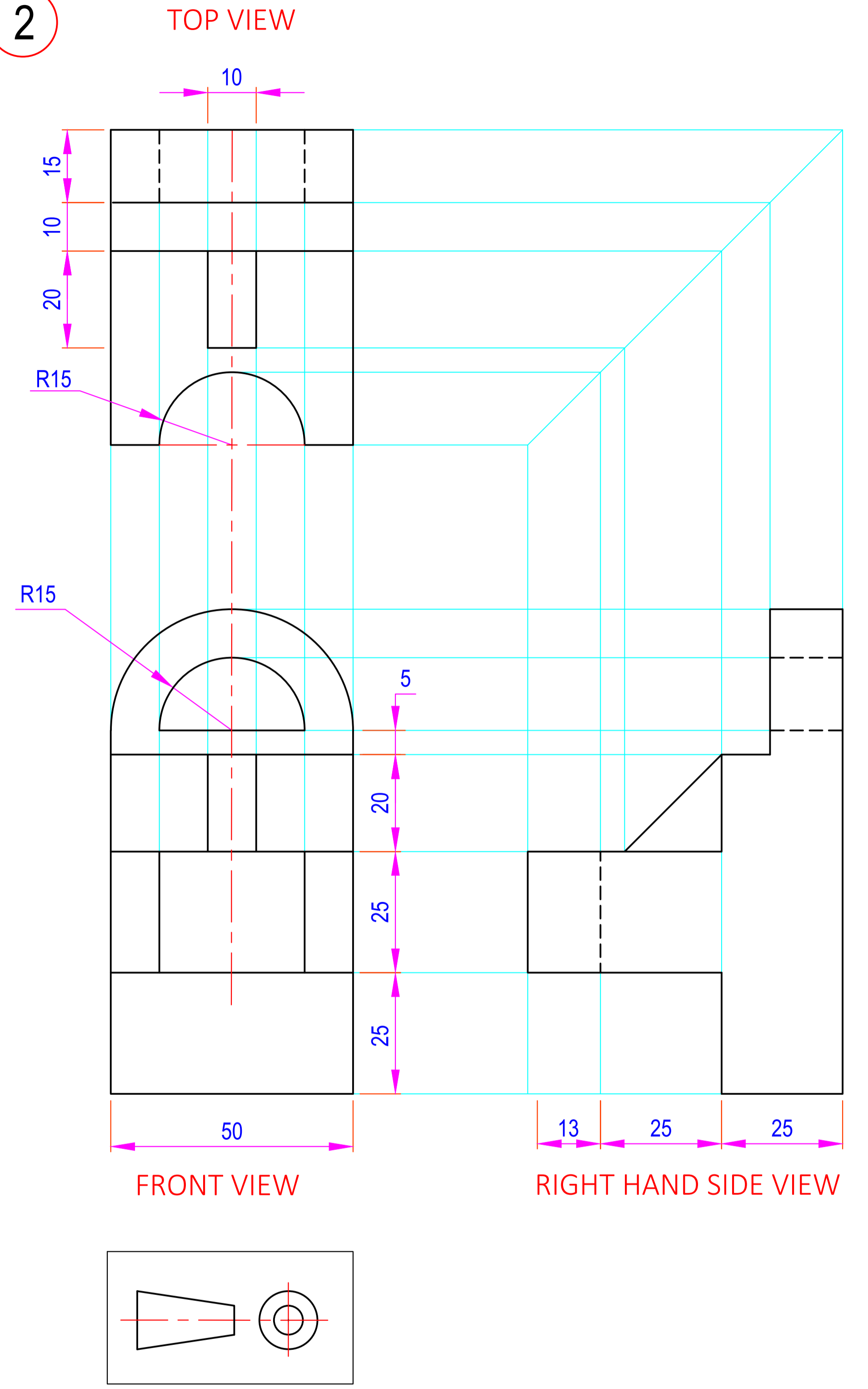


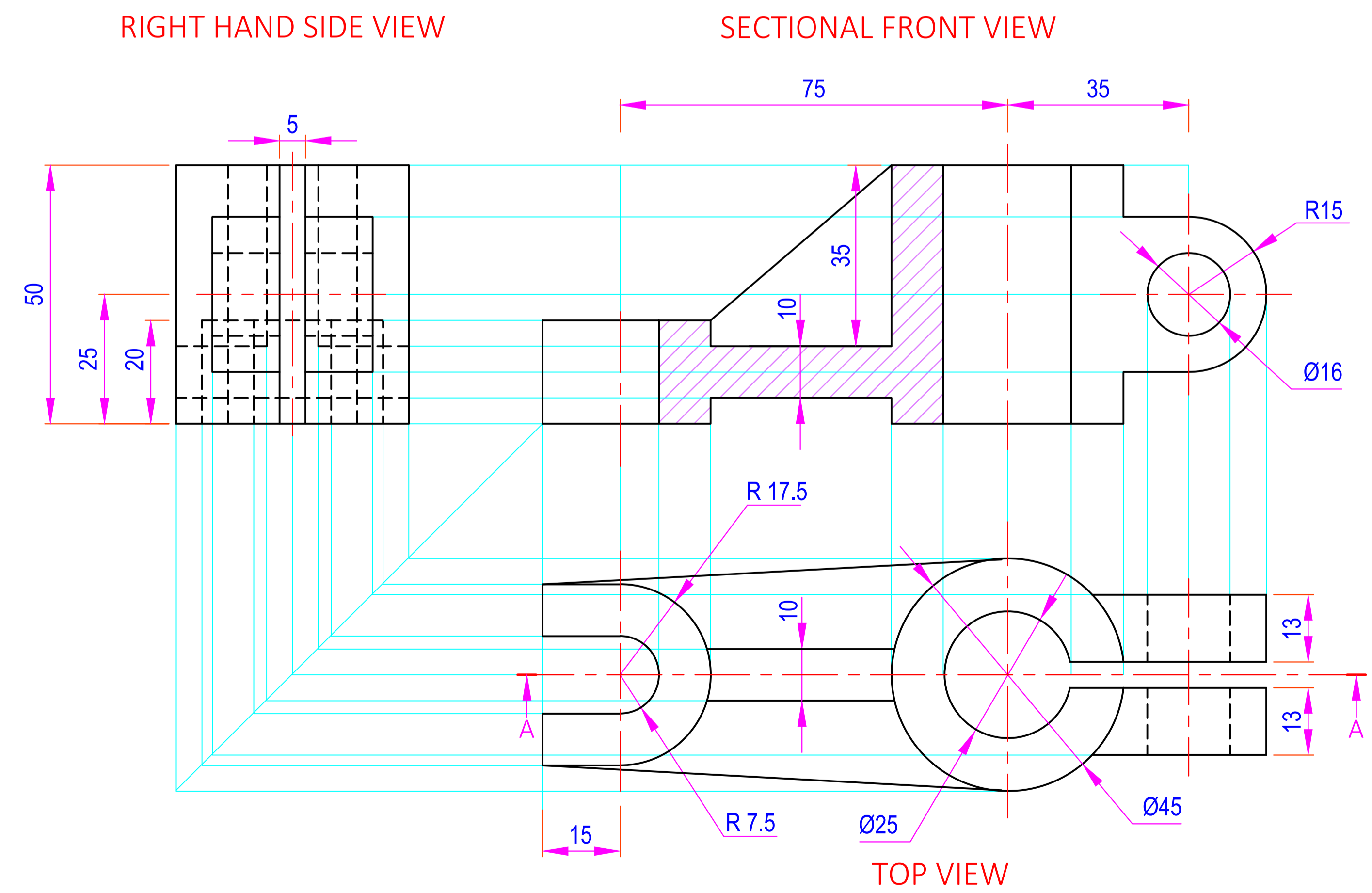
1



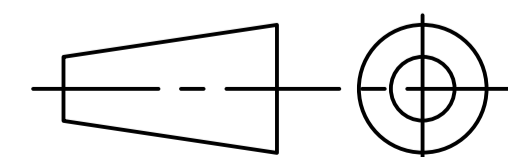
2



3



ALL DIMENSIONS ARE IN mm.

DATE	SIGN	INDUS INSTITUTE OF TECHNOLOGY & ENGINEERING, INDUS UNIVERSITY <b>ORTHOGRAPHIC PROJECTIONS</b>
STD.		
CKD.		
COMP.		
B.E. 1st SEM ME A. N. TANK		
IU1841150026		 <b>DRG NO. 7</b>
SCALE - 1:1		