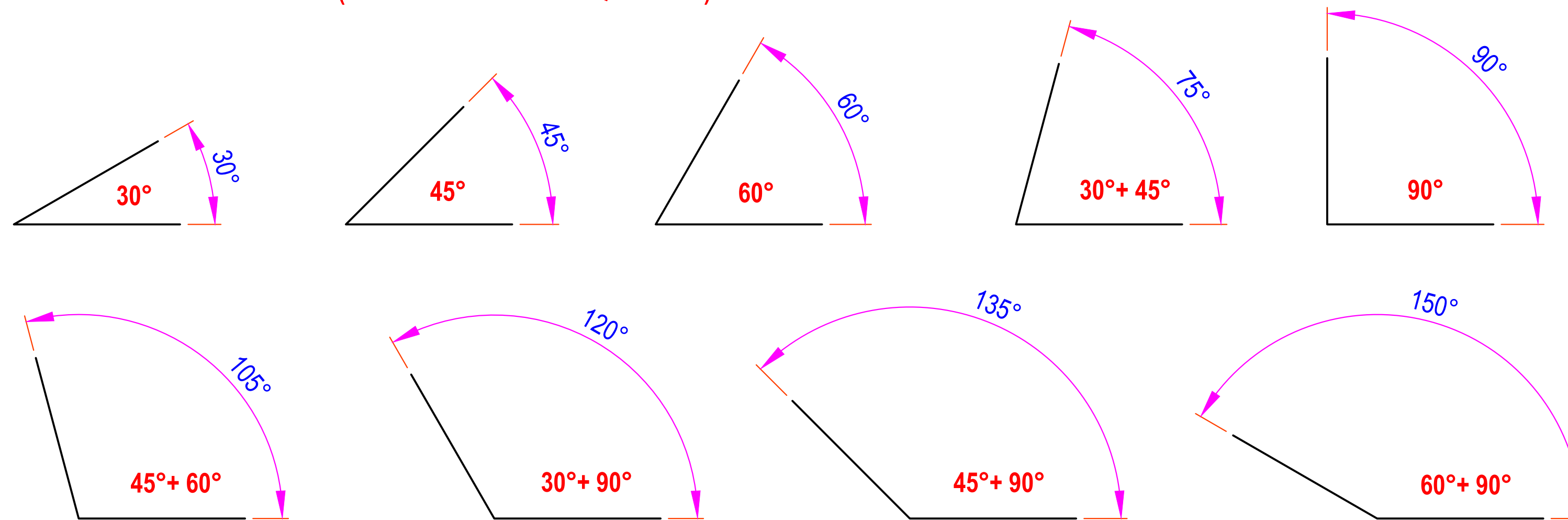
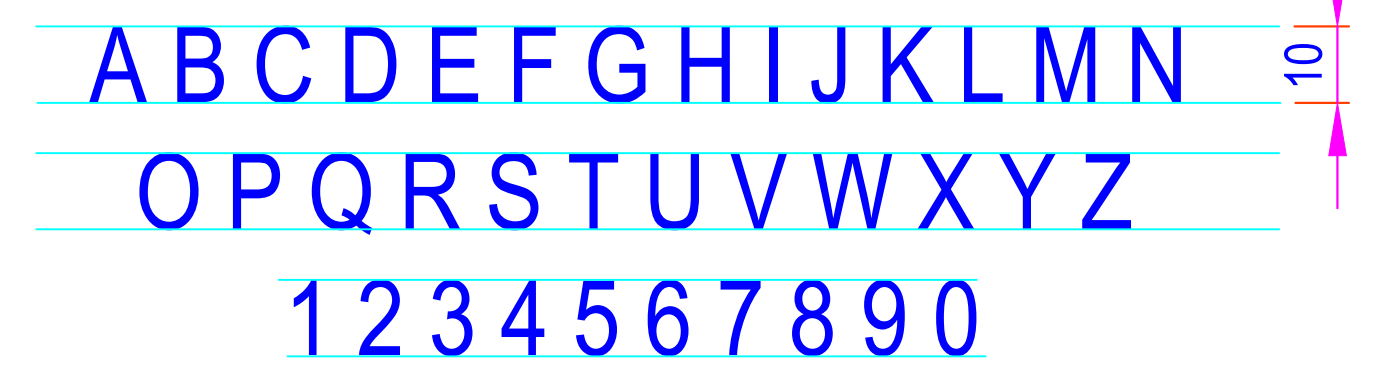


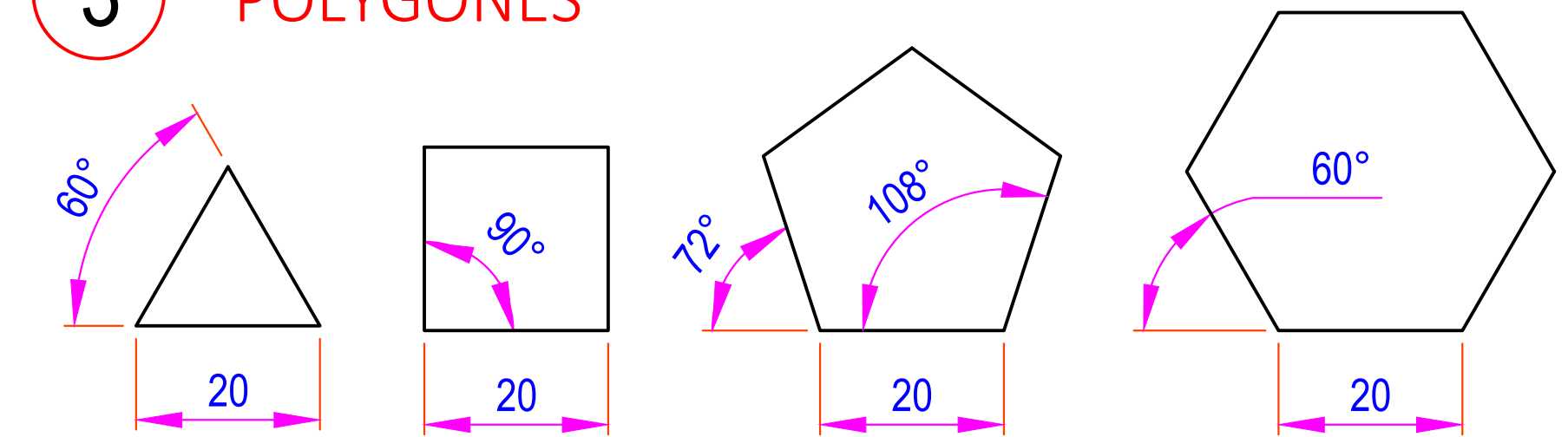
**1 VARIOUS ANGLES (USING SETS SQUARE)**



**2 ALPHABETS & NUMBERS**

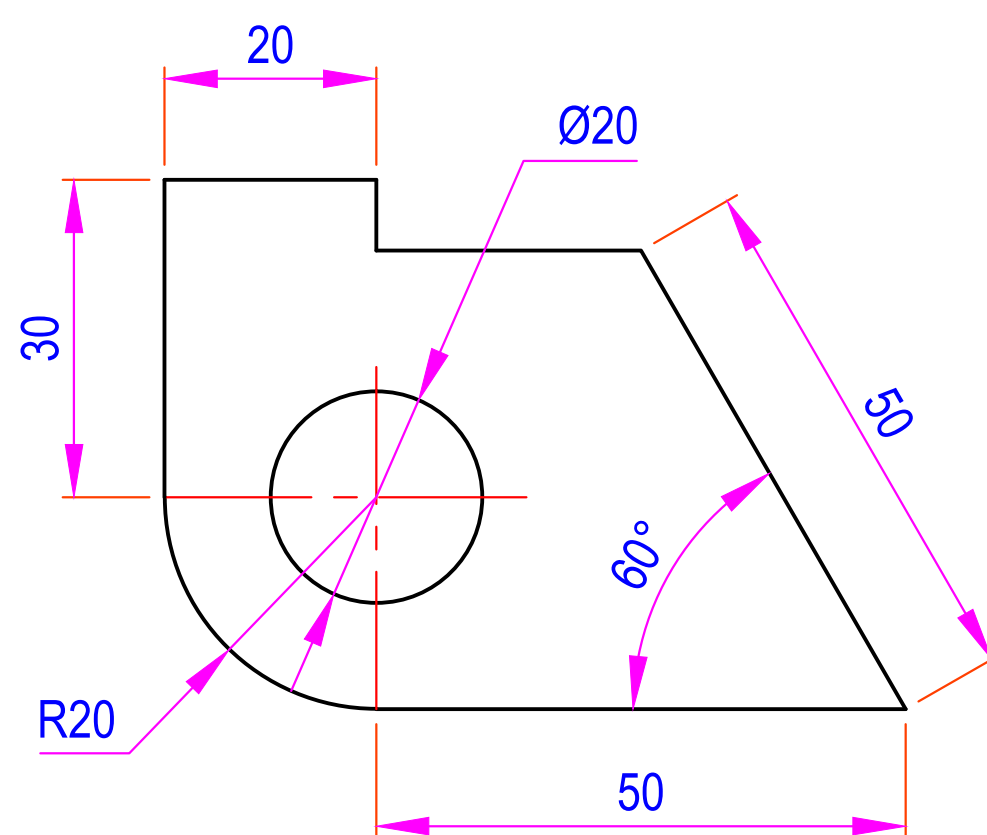


**3 POLYGONES**

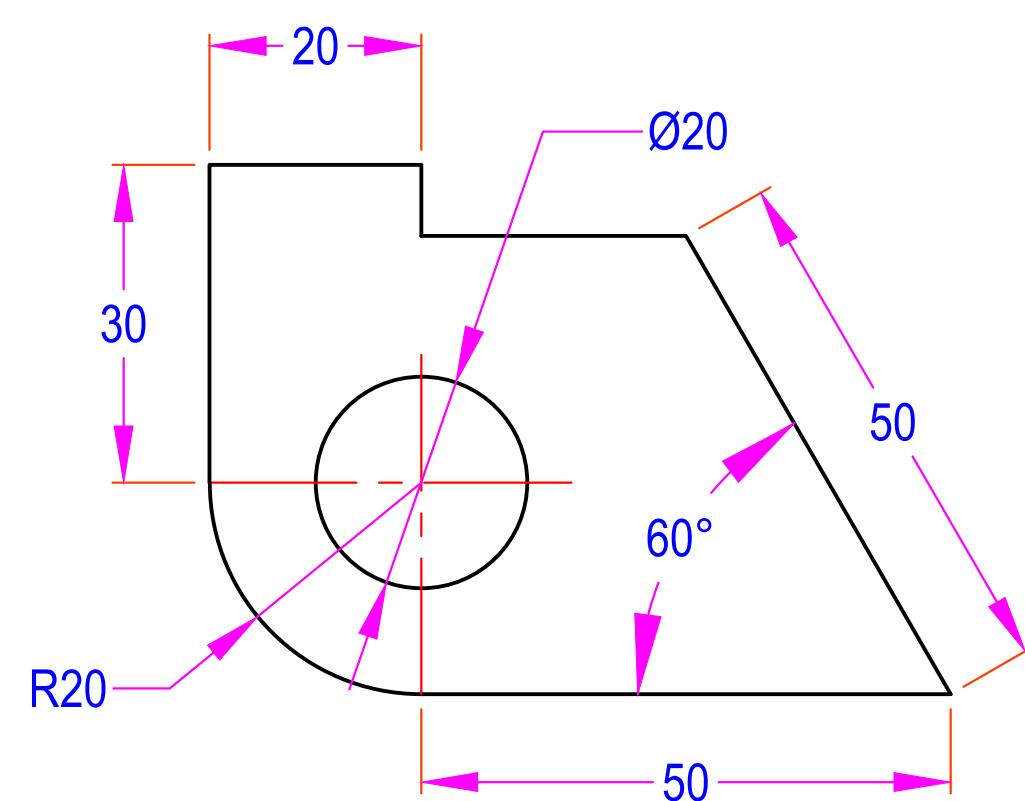


**4 DIMENSIONING SYSTEM**

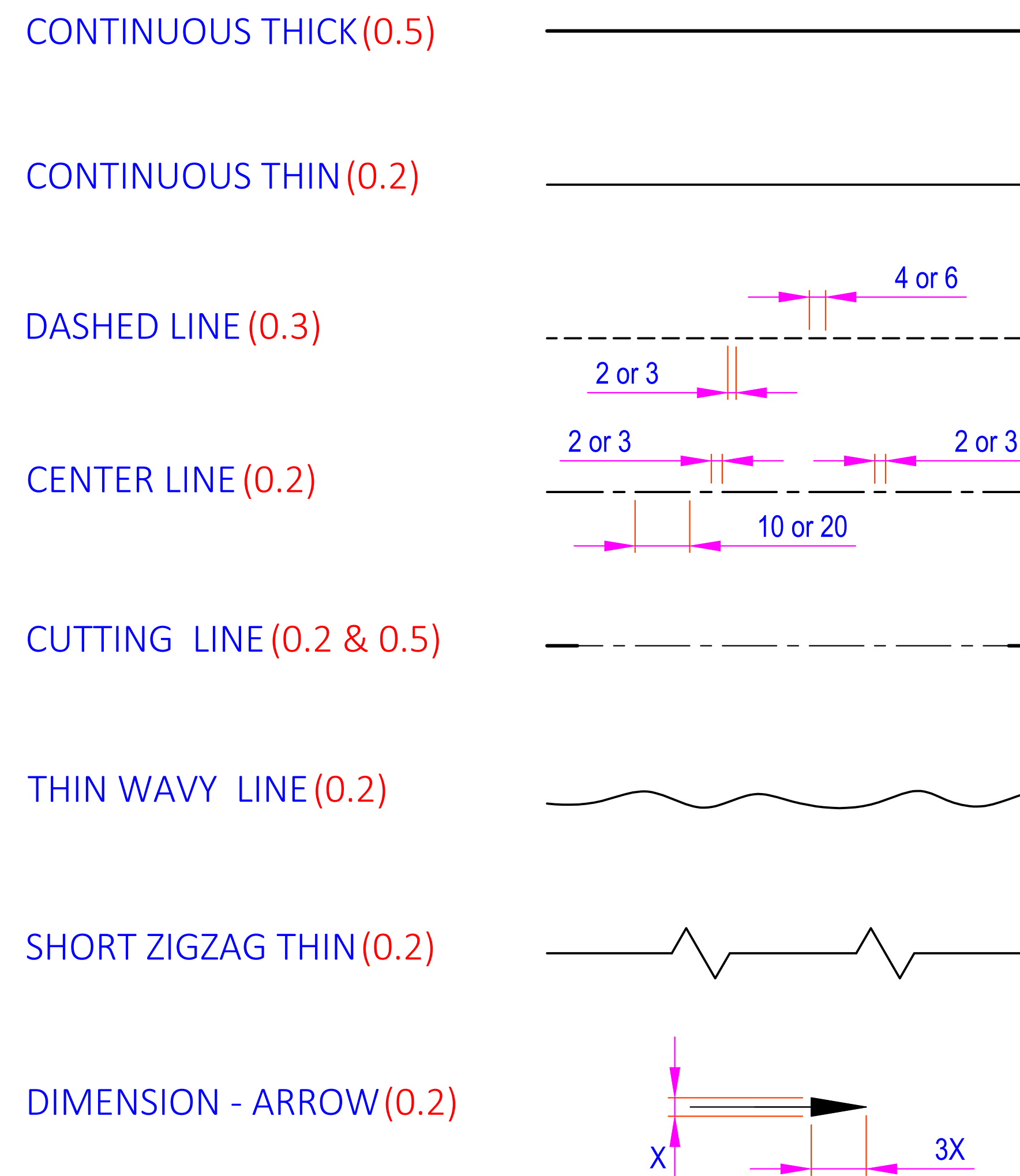
**ALIGNED SYSTEM**



**UNIDIRECTIONAL SYSTEM**

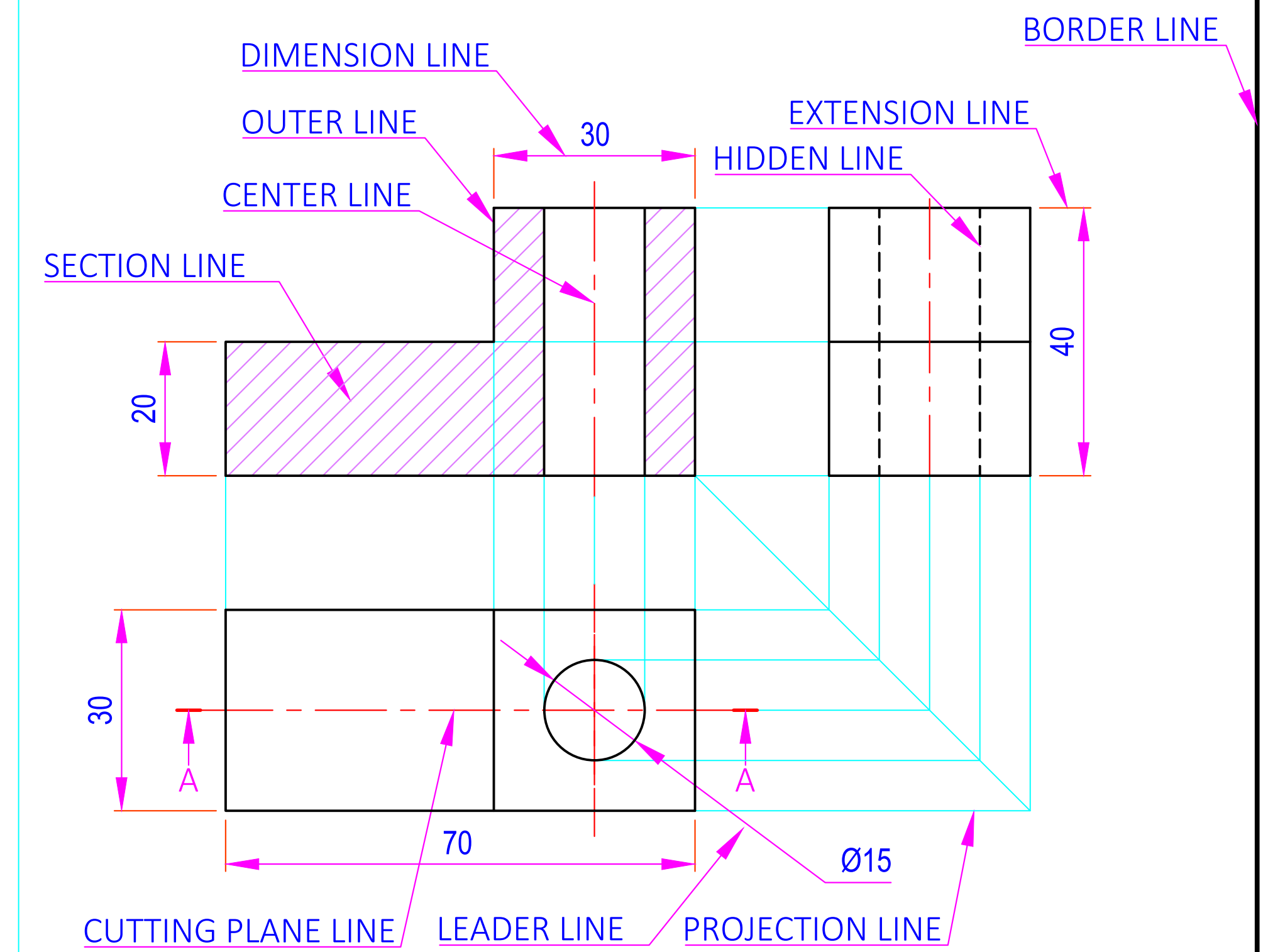


**5 TYPES OF LINES**



(VALUES IN BRACKET SHOWS THICKNESS IN mm)

**6 USES OF LINES**



ALL DIMENSIONS ARE IN mm.

	DATE	SIGN	INDUS INSTITUTE OF TECHNOLOGY &
STD.			ENGINEERING, INDUS UNIVERSITY
CKD.			PRACTICE SHEET
COMP.			
SCALE - 1:1			DRG NO. 1