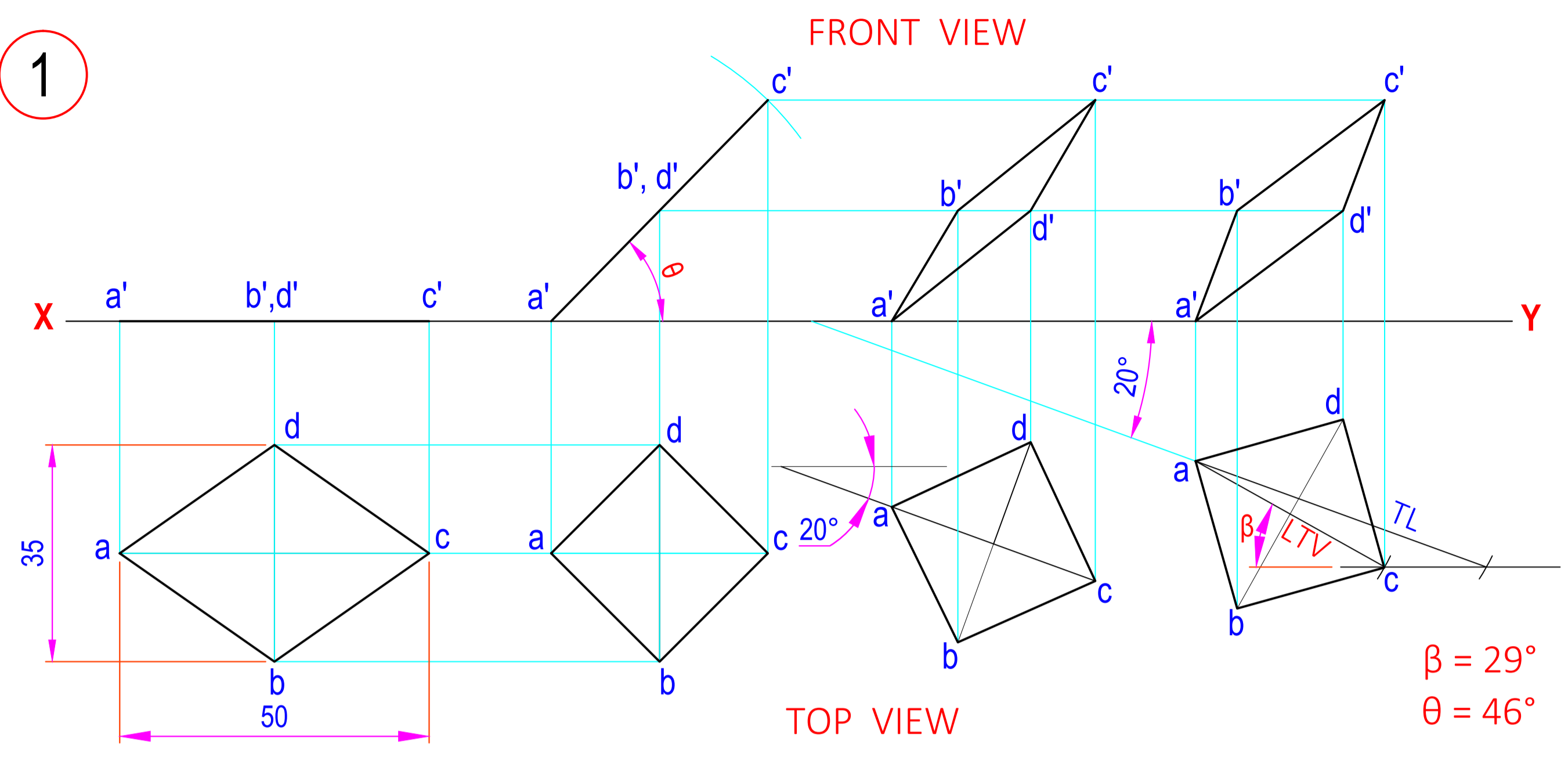
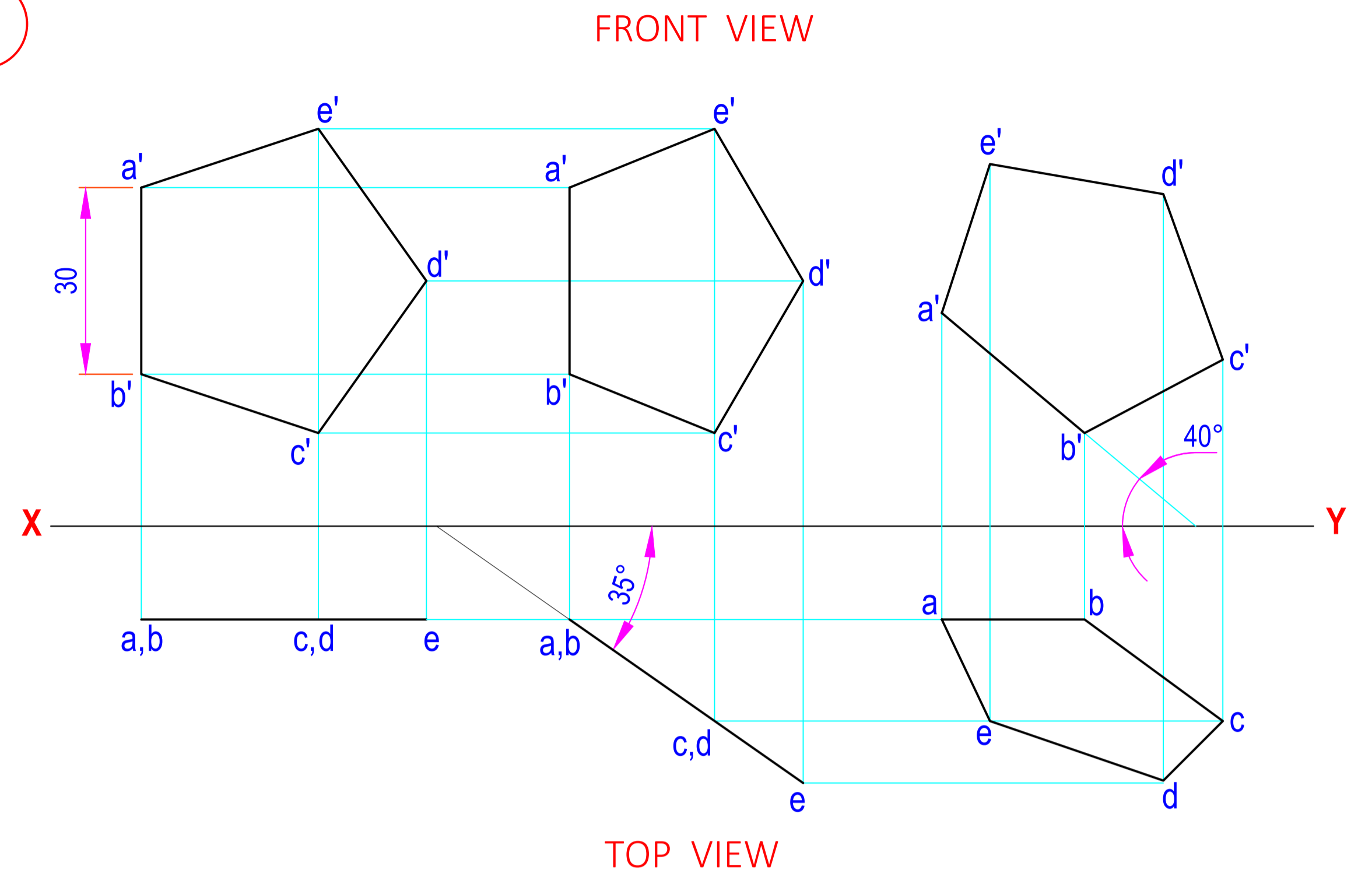


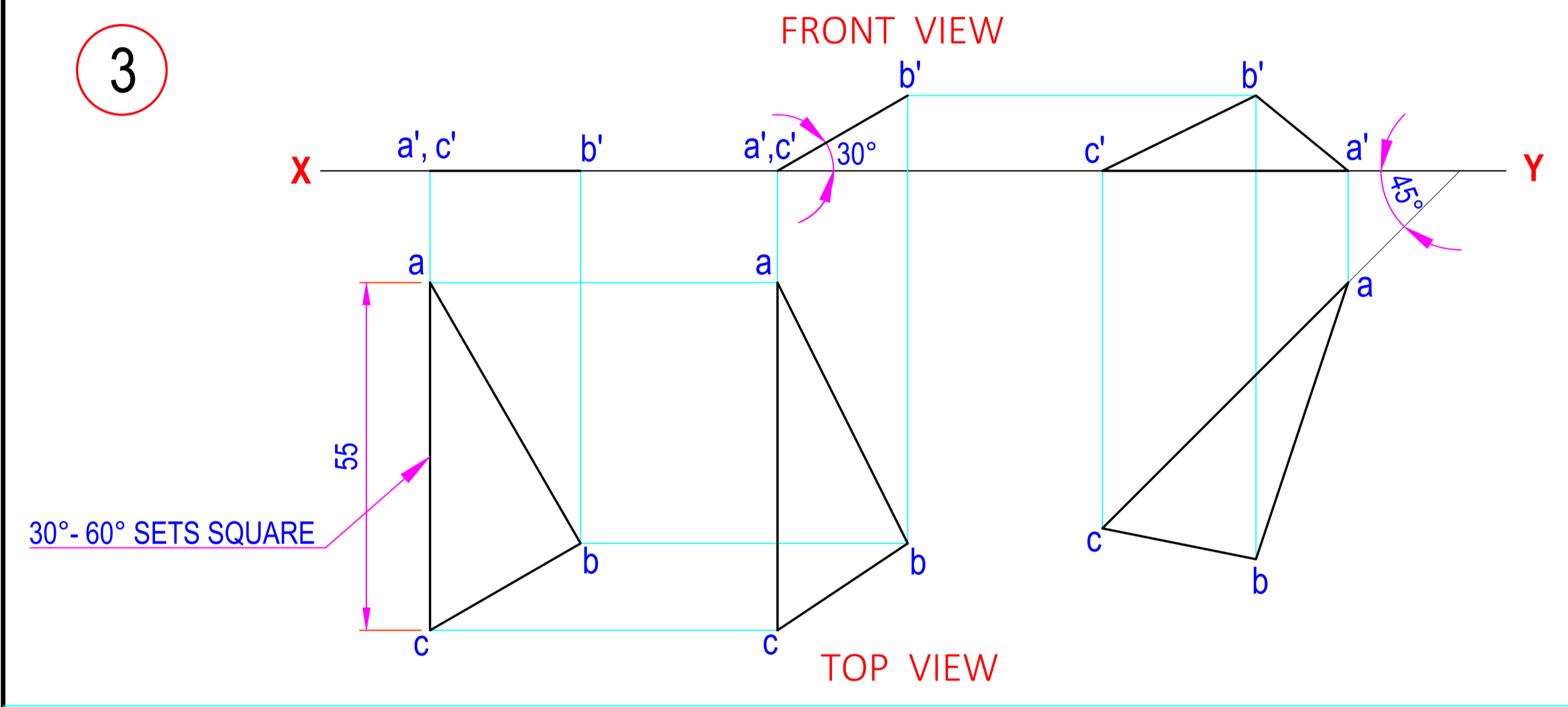
1



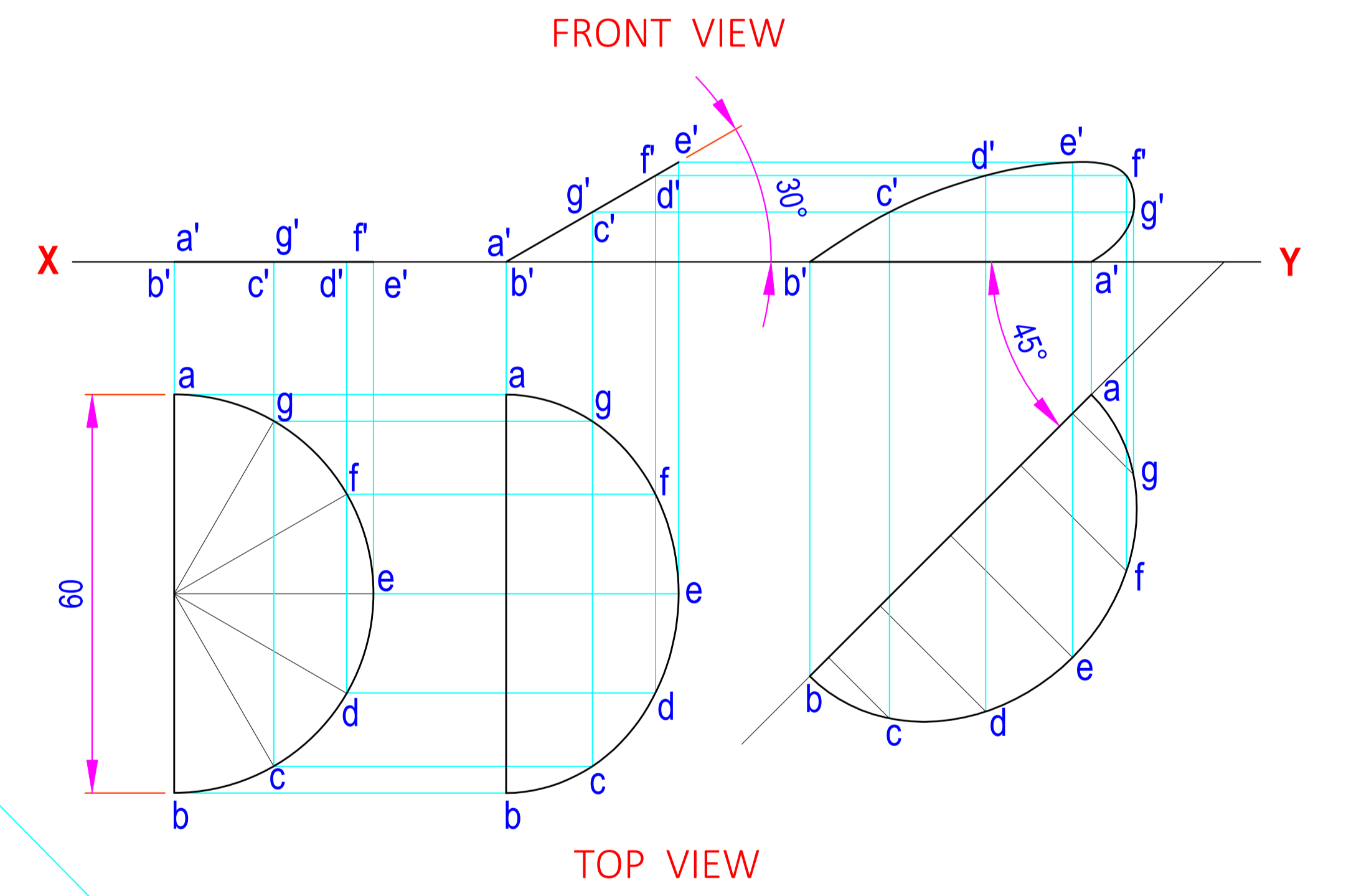
2



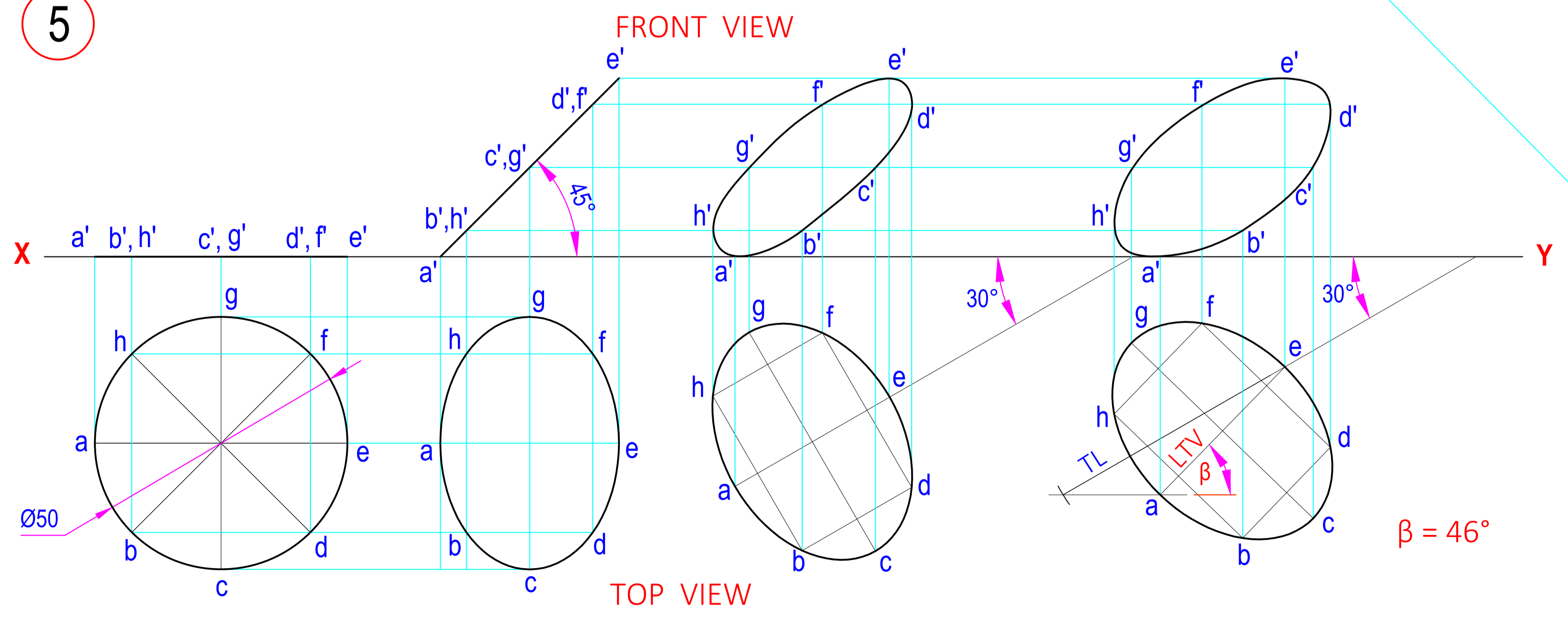
3



4



5



ALL DIMENSIONS ARE IN mm.

DATE	SIGN	INDUS INSTITUTE OF TECHNOLOGY & ENGINEERING, INDUS UNIVERSITY
STD.		
CKD.		
COMP.		
B.E. 1st SEM ME		
KHUSHI PATEL		
IU1842250007		
SCALE - 1:1		
		DRG NO. 5